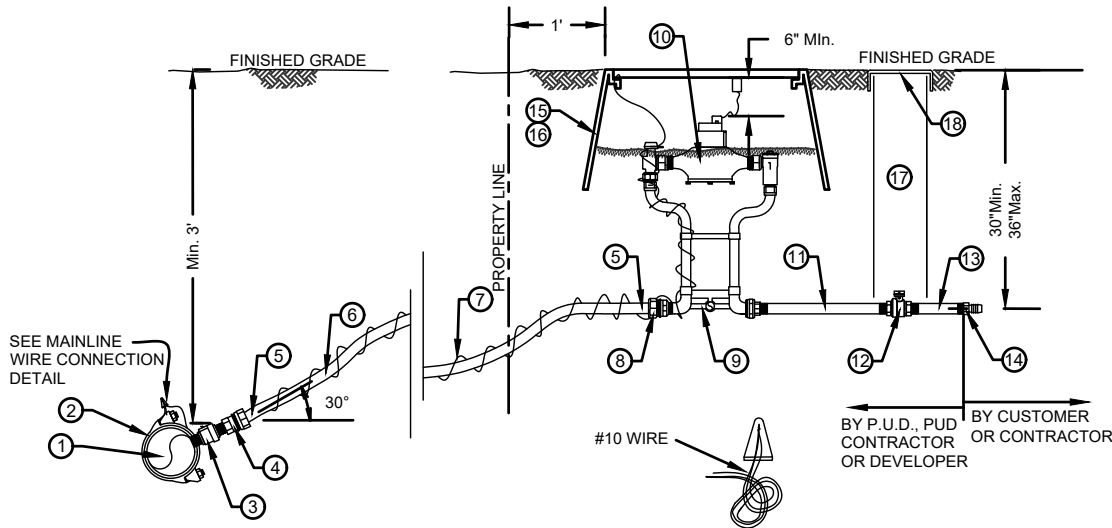


BILL OF MATERIALS

NO.	NOMENCLATURE	REQ'D	NO.	NOMENCLATURE	REQ'D
1.	WATER MAIN		10.	METER, BADGER MODEL M70 1" BRONZE METER(BY PUD)	1
2.	CLAMP, SERVICE, DOUBLE STRAP x 1" I.P.T., ALL BRASS, (FORD #202B) ^a	1	11.	NIPPLE, BRASS, 1" x 12"	1
3.	CORP, 1", (FORD #FB500-4) ^a	1	12.	BALL VALVE, BRASS 1" (FORD B11-444-NL) ^a	1
4.	ADAPTER, BRASS PAC JOINT, 1" F.I.P.T. x 1" COP, (FORD #C14-44-NL) ^a	1	13.	NIPPLE, BRASS, 1" x 6"	1
5.	INSERT, STIFFENER, 3/4" (FORD #71) ^a	2	14.	ADAPTER, BRASS, 1" F.I.P.T. x 1" INSERT	1
6.	PIPE, 1" REHAU MUNICIPEX TYPE A, 200 P.S.I.		15.	METER BOX AND COVER, CARSON 1324 (15" DEPTH) W/FLUSH COVER ^a	1
7.	WIRE, #10 SOLID COPPER, BLUE COATED, EXTEND MIN. 18" INTO BOX, NEAR LID		16.	EXTENSION, METER BOX, CARSON 1324(WHEN REQUIRED BY SITE CONDITIONS)	1
8.	ADAPTER, BRASS PAC JOINT, 1" M.I.P.T. x 1" COP, (FORD #C84-44-NL) ^a ^b	1	17.	CASING, 6" PVC SEWER PIPE	
9.	COPPERSETTER, 1"(FORD #VBHC74-12W-11-44-NL FP) W/1" DBL PURPOSE UNION SWIVELS ^a	1	17.	6" PVC CAP	1

^a OR EQUIVALENT APPROVED BY THE DISTRICT
^b ELL, 90° STREET, 1" M X F.I.P.T. (IF NEEDED)

ALL BRASS FITTINGS TO BE LEAD FREE DOMESTIC BRASS



MAINLINE WIRE CONNECTION DETAIL
 NTS
 NOTE: ALL THREE WIRES ARE TO BE TIED TOGETHER IN AN OVERHAND KNOT APPROXIMATELY 6" FROM WIRE NUT. BARE 5/8" OF WIRES. CONNECT WITH #62325 KING WATERPROOF WIRE CONNECTOR.^a

NOTES

- CORP TO BE IN FULL OPEN POSITION BEFORE BACKFILL.
- INSTALL SERVICE LINE PERPENDICULAR TO MAIN UNLESS OTHERWISE SHOWN ON WATER CONSTRUCTION PLAN.
- SERVICE LINE IS TYPICALLY 1' 6" TO NORTH OR WEST OF PROPERTY CORNER OR AS OTHERWISE SPECIFIED.
- PUD OWNERSHIP ENDS AT THE METER AND METER BOX. WATER SERVICES TO BE CONNECTED TO AN ACTIVE WATERLINE ARE REQUIRED TO BE INSTALLED BY PUD. WATER SERVICES INSTALLED WITH A NEW WATERLINE OR WATERLINE EXTENSION WILL BE PERFORMED BY THE CONTRACTOR/DEVELOPER PRIOR TO CONNECTION OF THE NEW WATERLINE TO THE PUD SYSTEM. THE PUD IS REQUIRED TO SET ALL METERS. IF A NEW WATER SERVICE IS INSTALLED BY THE PUD, PUD WILL INCLUDE THE PRIVATE SHUT-OFF VALVE AFTER THE METER. AFTER INSTALLATION THE OWNER IS RESPONSIBLE FOR ALL FUTURE MAINTENANCE, REPAIR AND REPLACEMENT OF THE PRIVATE SHUT-OFF VALVE.
- IF METER IS NOT INSTALLED IN COPPERSETTER, INSTALL A PVC NIPPLE BETWEEN METER CONNECTIONS. IF CONNECTION IS NOT MADE TO CUSTOMER'S PLUMBING, INSTALL A WATERTIGHT WRAP OF ELECTRICAL TAPE OVER END OF ADAPTER(#14). SET COPPERSETTER FLUSH, PLUMB AND CENTERED IN BOX. FLUSH OUT SERVICE TUBING AND COPPERSETTER BEFORE INSTALLING METER. DO NOT ALLOW MUD OR FOREIGN MATERIAL TO ENTER ANY TUBING OR FITTINGS.
- FILL BOX WITH FINE DIRT TO TOP OF METER.
- IF THE METER BOX IS LOCATED IN ASPHALT OR CONCRETE AREA, A TRAFFIC BOX, CARSON 1324-2520 W/COVER 1324-4526 WILL BE REQUIRED. **NOT** FOR THROUGH-WAY TRAFFIC APPLICATIONS.
- IF THERE IS PETROLEUM-BASED CONTAMINATED SOIL PRESENT, THE SERVICE PIPELINE SHALL BE OF TYPE K COPPER WITH BRASS AND COPPER FITTINGS.
- IF SERVICE LINE HAS LESS THAN 2' 0" OF COVER, CONTACT DISTRICT ENGINEERING DEPARTMENT FOR FREEZE PROTECTION REQUIREMENTS.
- BACKFLOW PROTECTION AT THE SERVICE CONNECTION IS REQUIRED FOR NON-RESIDENTIAL, AGRICULTURAL, AND IRRIGATION USES, ON LARGE SIZED PROPERTIES, PROPERTIES WITH EXITING WELLS AND BOOSTER/SEWAGE PUMPS, AND IN OTHER SITUATIONS AS DESCRIBED IN THE DISTRICT'S CROSS CONNECTION CONTROL MANUAL.

[Signature]
 PUD NO. 1 OF SKAGIT COUNTY ENGINEERING MANAGER

APPROVED ON: OCTOBER 7 , 2024



**STANDARD INSTALLATION OF
 1" METERED SERVICE
 WITH 200 P.S.I. REHAU
 SERVICE LINE**

SCALE: 1" = 2'
DATE: 3/01/05
REVISED: 10/7/24
DRAWN BY: KAN
APPROVED BY: MCH

STANDARD

WS1-1